



Sovitron Interior Pvt.Ltd.



Model Name	URBANA-2104A / DL-OSL-2104AB-1
Description	Inground Light

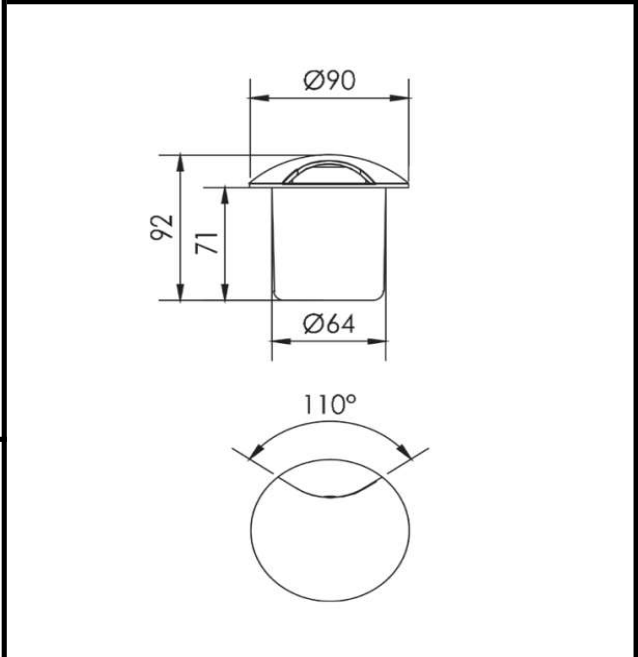
Technical description	Image
-----------------------	-------

Dimension	Dia=90mm Cutout=64mm H=92mm
Frame	Aluminum die cast
Color Tempertaure	5700K
Power	3W
Total Luminous Flux	150 lm
Efficacy	50 lm/W
IP rating	67
Color Rendering	≥80
Mounting	Buried
Beam angle	60 Degree
Optics	Polycarbonate diffuser
Dimming	NON-Dimmable
Operating Voltage	220-240 VAC
Standard Lifetime	L70 minimum at 50,000 burning hours



Remarks:-

Dimension diagram



Address: Plot #7 Saroorpur-Nangla Industrial Area,Ballabgarh-Sohna Road,Faridabad-121005
Email: info@sovitron.com